

# XSENTIAL XSS 316 SERIES STAINLESS STEEL

## FILTER HOUSINGS



XSS1036

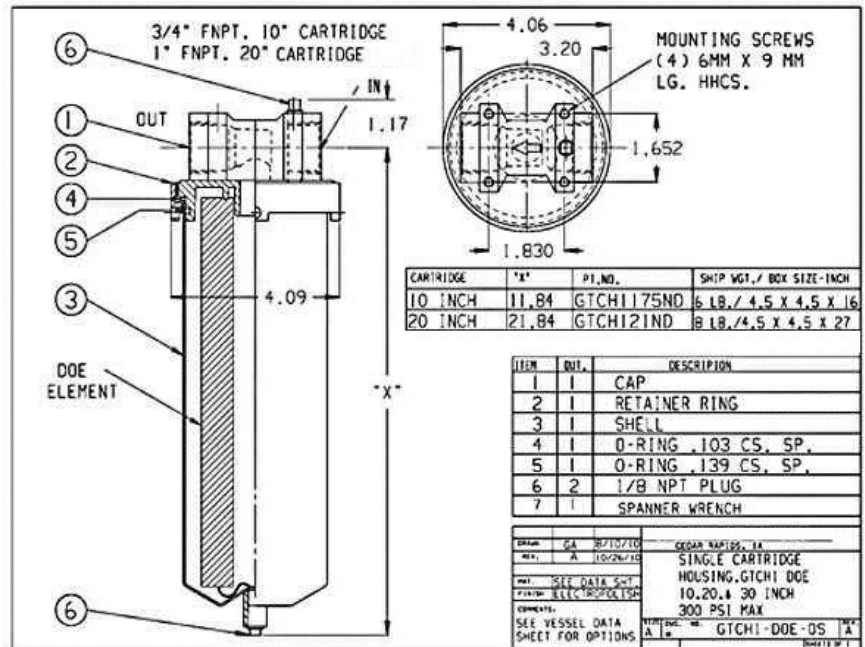


XSS2036

Xsential XSS316 Series Watermark approved Stainless Steel Filter Housings effectively provides heavy duty filtrations for smaller filtration systems and point of use applications.

XSS316 Series Housings are ideal for high-pressure applications which aren't suited for plastic housings. The brushed 304 stainless steel sumps are available with either a pipe plug or petcock at the bottom for draining. Heads are manufactured from 316 stainless steel.

XSS316 Series Housings are easy to install and maintain. They are compatible with a complete range of DOE filter cartridges, adding to their versatility.



### Features

- Port size: 20DN
- Supplying flow rates of up: 76 Lpm
- Maximum water temperature: 40°C.
- Maximum working pressure: 2070kPa

[www.xsential.com.au](http://www.xsential.com.au)

WARNING: For drinking water applications. Do not use with water that is microbiologically unsafe or of unknown quality without adequate disinfection before or after the system.

**Xsential Pty Ltd**  
78 Daly Street Ascot Western Australia 6104  
Ph: 1300 366 295 Fax: (08) 92772266  
email: sales@xsential.com.au